

Slim^x Cameras

Product Details

Featuring a discreet profile and black matte finish, the Slim^x line of camera offers the perfect solution for active marker tracking in a wide range of applications.



Slim^x Cameras

Specifications

	Slim ^x 13	Slim ^x 22	Slim ^x 41	Slim ^x 120	Slim ^x 260
Maximum Frame Rate (Full Resolution)	240 Hz	360 Hz	180 Hz	300 Hz	150 Hz
Maximum Possible Frame Rate	1000 Hz				
Selectable Frame Rates	Yes				
Latency @ Max Frame Rate and Full	4.2 ms	2.8	5.55 ms	3.33 ms	6.66 ms
3D Accuracy	+/- 0.3 mm		+/- 0.1 mm		TBD
Marker Type	Active				
Maximum Detection Distance	15m	30m	45m	90m	TBD
Sensor					
Resolution	1280 x 1024	2048 x 1088	2048 x 2048	4096 x 3072	5120 x 5120
Pixel Count	1.3MP	2.2MP	4.1MP	12MP	26MP
Shutter Type	Global				
Adjustable Exposure	Yes				
Shutter Speed (Default)	0.25 ms				
Shutter Speed (Max.)	0.01 ms				
Shutter Speed (Min.)	3.9 ms at 240 fps	2.5 ms at 360 fps	5.4 ms at 180 fps	3.13 ms at 300 fps	6.2 ms at 150 fps
Physical Attributes					
Width	68.9 mm (2.7")	126 mm (4.96")	89 mm (3.5")	114 mm (4.49")	
Height	68.9 mm (2.7")	126 mm (4.96")	89 mm (3.5")	114 mm (4.49")	
Depth	23 mm (0.9")	100 mm (3.94")	122 mm (4.79")	154.4 mm (6.07")	123 mm (4.84")
Weight (includes lens)	0.21 kg (0.8 lbs)	0.66 kg (1.4 lbs)	0.66 kg (1.4 lbs)	1.26 kg (2.8 lbs)	1.16 kg (2.46 lbs)
Base Materials	Aluminum & Polycarbonate				
Color	Black				
Ringlight					
Contains	No				
Modular	N/A				
Number of LEDs	N/A				
LED Wavelength	N/A				
LED Output	N/A				
Optical Attributes					
Lens FOV (HxV)	56° x 46° 43° x 35° (Optional) 69° x 57° (Optional) 82° x 70° (Optional)	79° x 49°	51° X 51° 65° X 65° (Optional)	51° x 39° 65° x 51° (Optional)	57° x 57° 74° x 74° (Optional)
Lens Focal Distance	5.5 mm 8.0 mm (Optional) 4.5 mm (Optional) 3.5 mm (Optional)	6 mm	12 mm 8.9 mm (Optional)	24 mm 18 mm (Optional)	12 mm 8.9 mm (Optional)
Aperature Size	f / 1.8 f / 1.8 (Optional) f / 2.2 (Optional) f / 2.4 (Optional)	f / 1.6	f / 2.4	f / 1.6	f / 1.8
Lens Adjustable Focus	Yes				
Lens Adjustable F-Stop	No	Yes			

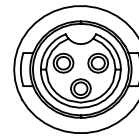
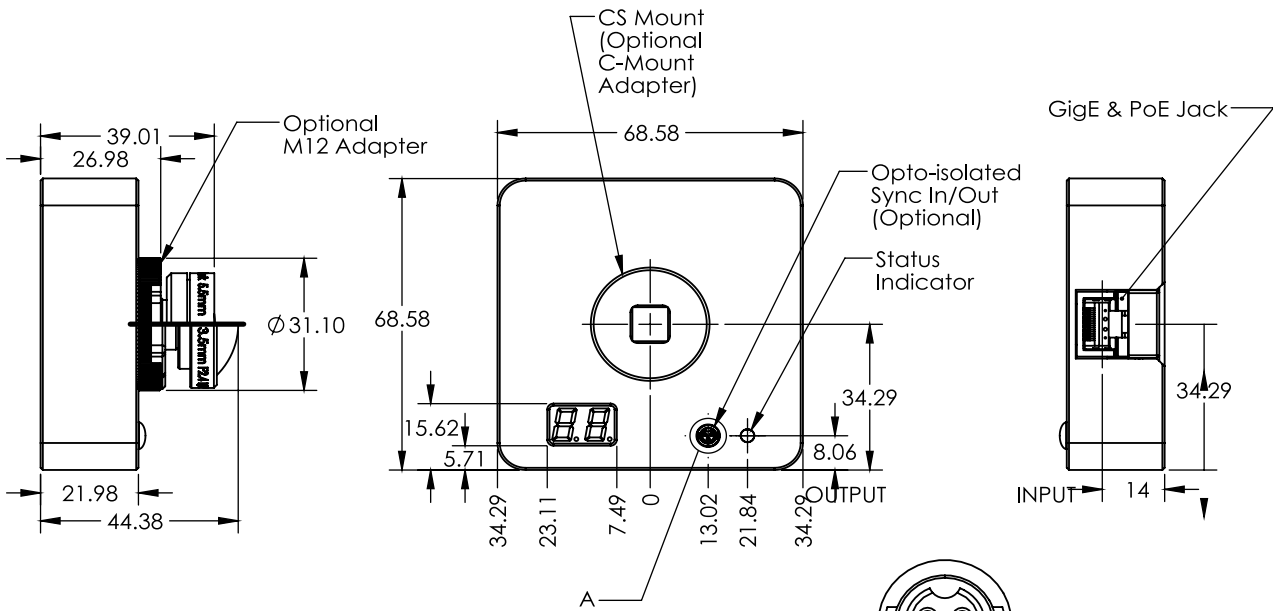
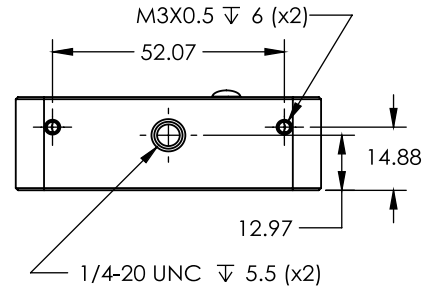
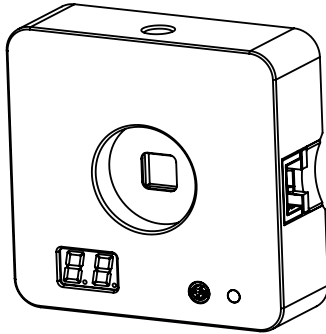
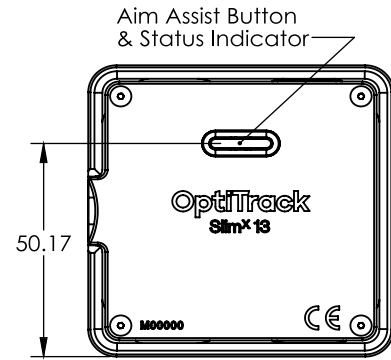
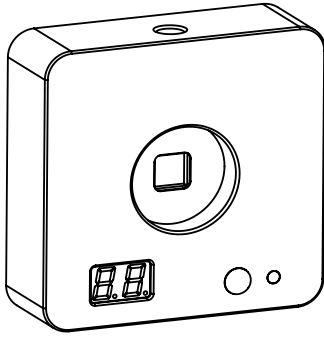
Slim^x Cameras

Specifications

	Slim ^x 13	Slim ^x 22	Slim ^x 41	Slim ^x 120	Slim ^x 260
Optical Attributes Continued					
Filter Wavelength	850 nm bandpass 800 nm longpass (Optional)			850 nm bandpass 940 nm bandpass (Optional)	
Filter Switcher				Optional	
Filter Switcher Wavelengths	Visible (410-630 nm)/ Selection of second filter: 780 nm bandpass 800 nm longpass 850 nm bandpass 940 nm bandpass			Visible (430-650 nm bandpass) Selection of second filter: 850 nm bandpass 940 nm bandpass	
Electrical Attributes					
Power Input				PoE	
IEEE Standard				IEEE 802.3af	
Power Draw (@PSE)				15 W	
Connector				RJ45	
Cabling				Cat 6 or Cat 6a (Highly recommended)	
Data Architecture					
Communication				GigE Ethernet	
Ethernet Protocol				OptiTrack Proprietary	
Camera Sync				Yes	
Image Processing				Object Segment Raw Grayscale MJPEG Grayscale Duplex Mode (Patent Pending)	
Grayscale Depth	8-Bit			10-bit	
Status Indicators					
Numeric LED		2 Digit			3 Digit
Full-color LED Health and Activity				LED Only	
Mounting					
Type and QTY				1/4"-20 (2X)	
Precision Alignment				No	
Environment					
IP Rating				IP 4X	
Operational Temperature				0 - 50 °C	
Storage Temperature				-40 - 70 °C	
RoHS Compliant				Yes	
CE				Yes	

Slim^x 13

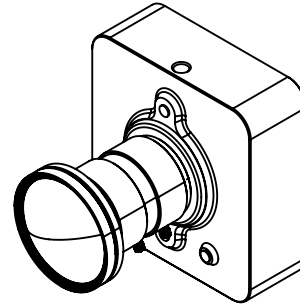
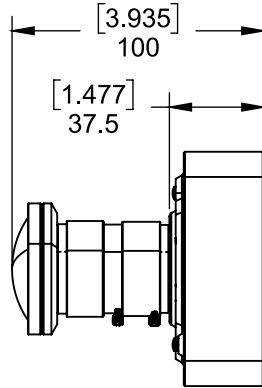
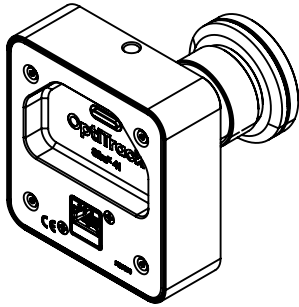
Technical Drawings



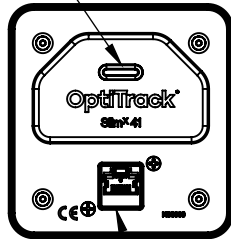
GND
DETAIL A
SCALE 4 : 1

Slim^x 22

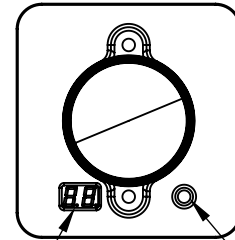
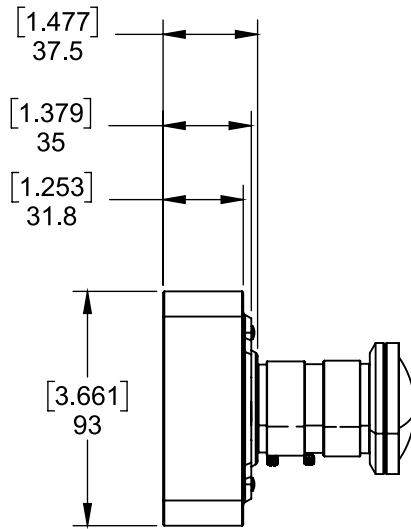
Technical Drawings



Aim Assist Button



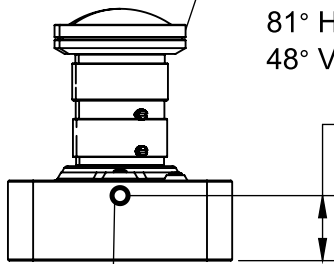
Ethernet Port



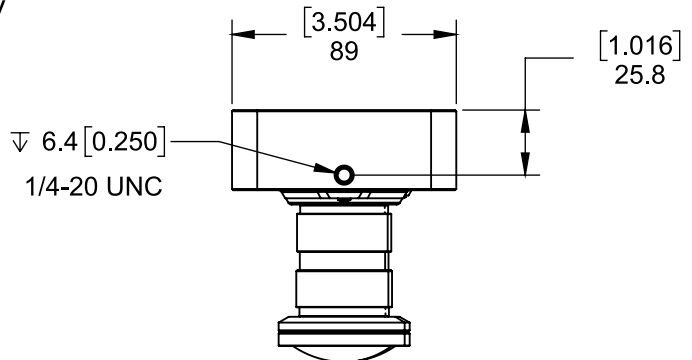
Display

Status LED

Standard Lens:
6.8mm Focal Length
81° Horizontal FoV
48° Vertical FoV

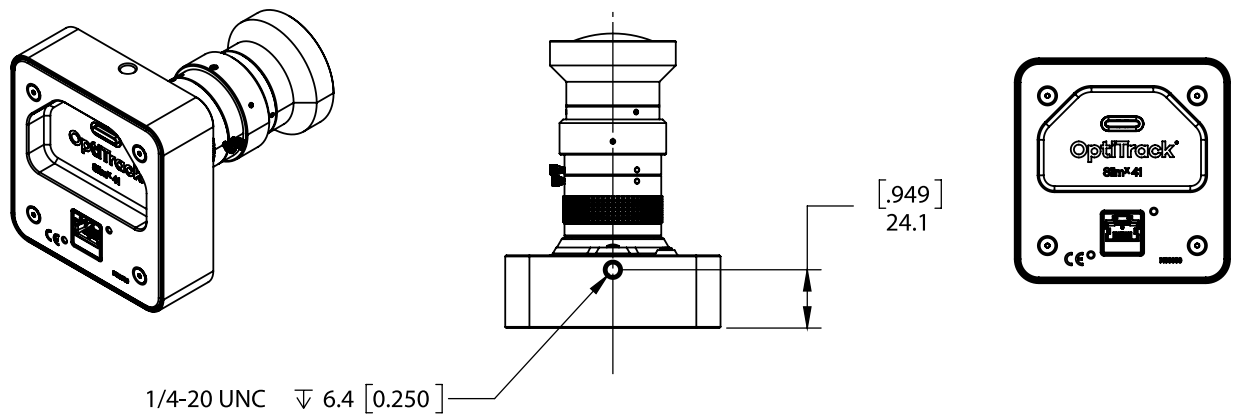
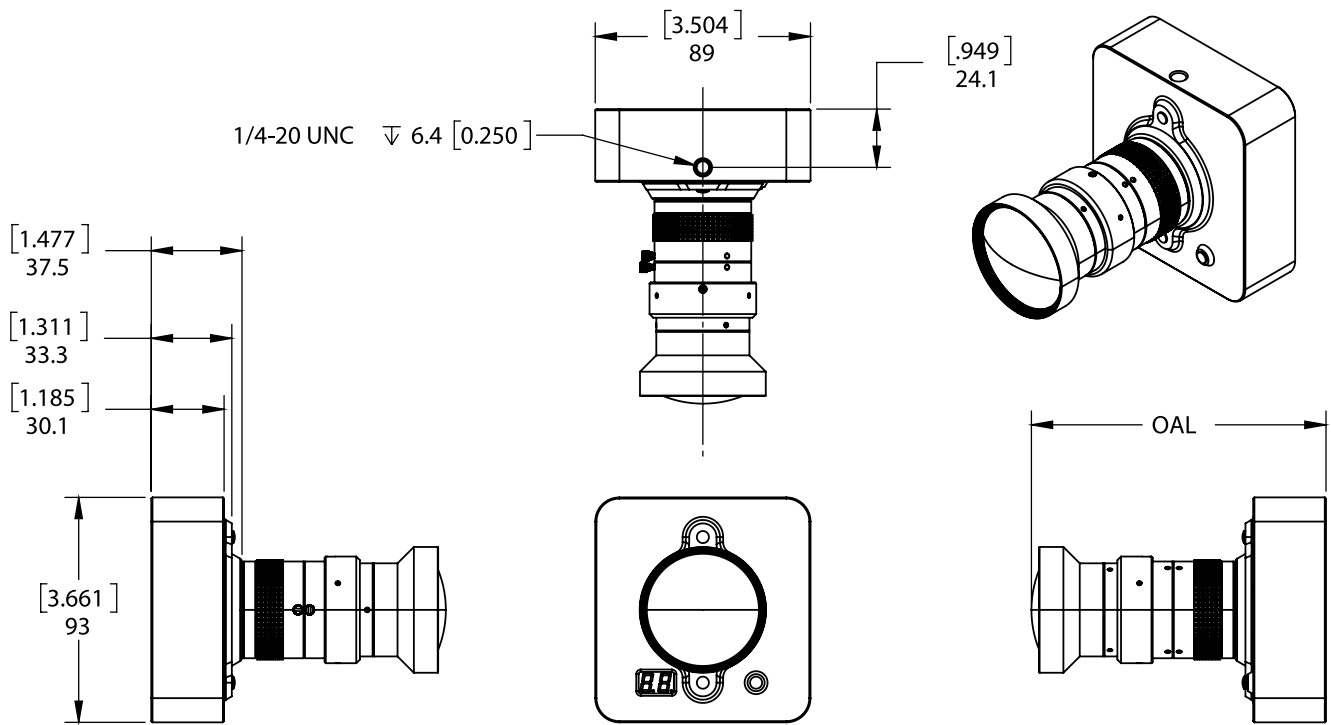


▽ 6.4 [0.250]
1/4-20 UNC



Slim^X 41

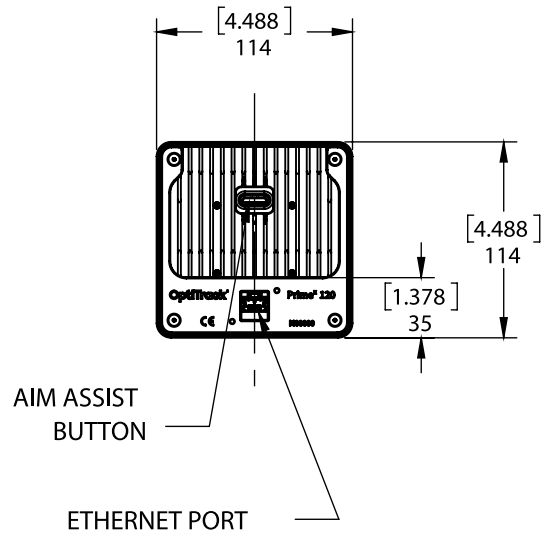
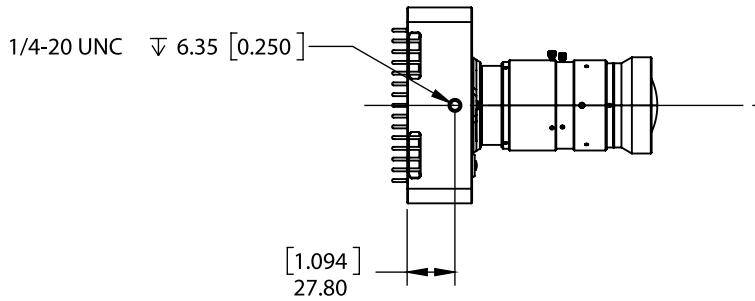
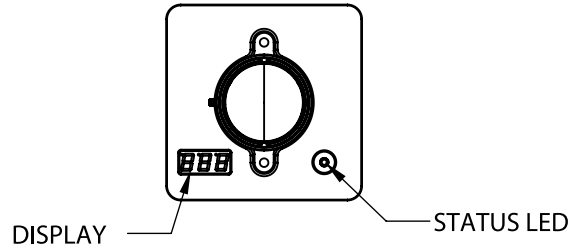
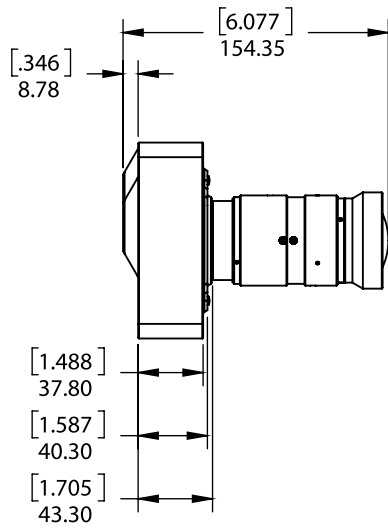
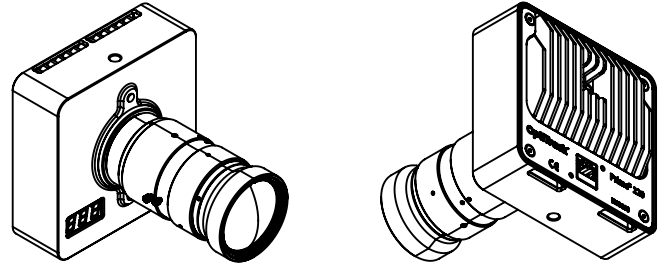
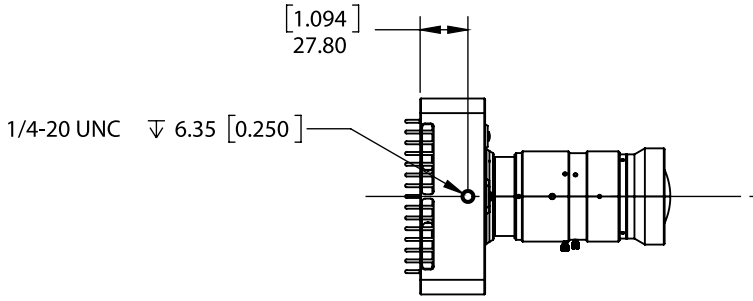
Technical Drawings



Lens Options			
Focal Length	Field of View	"OAL"	
		mm	in
8.9mm	67.0° x 67.0°	121.0	4.76
11.8mm	51.1° x 51.1°	121.8	4.79

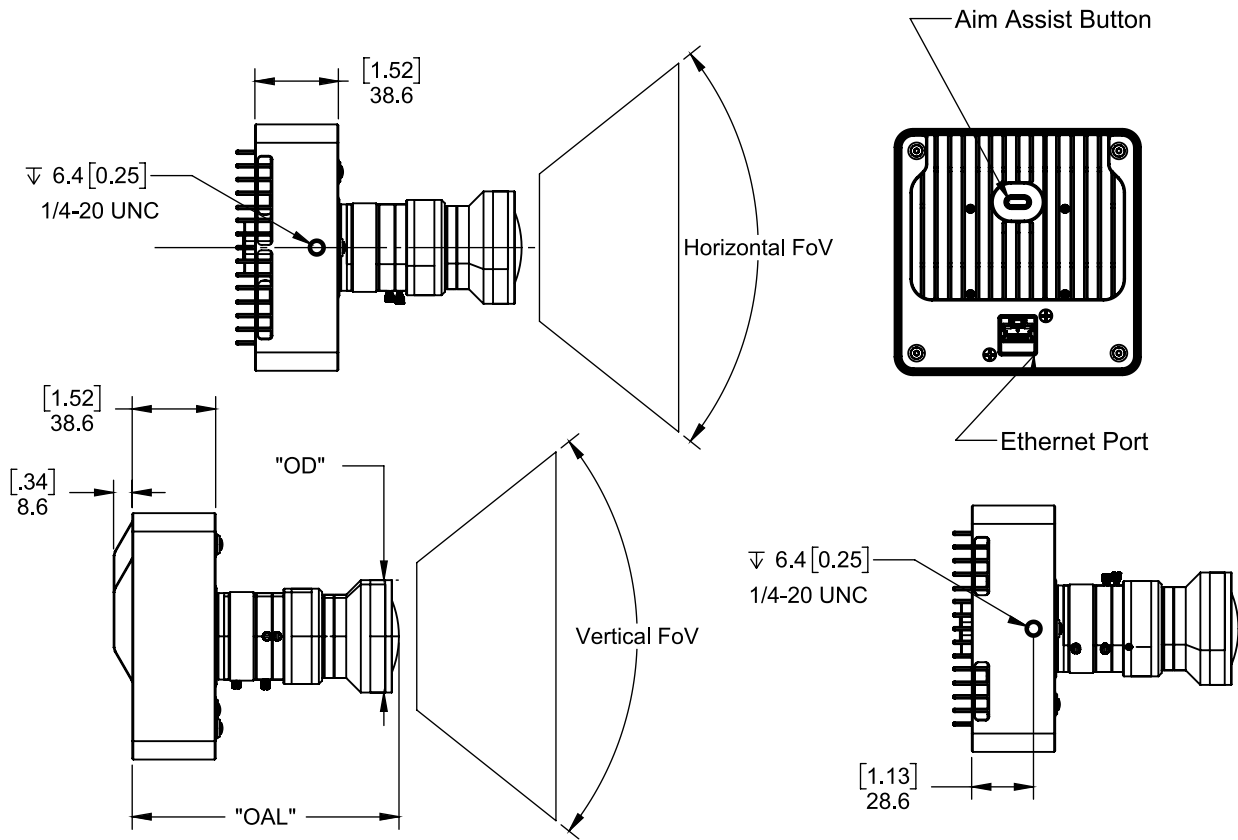
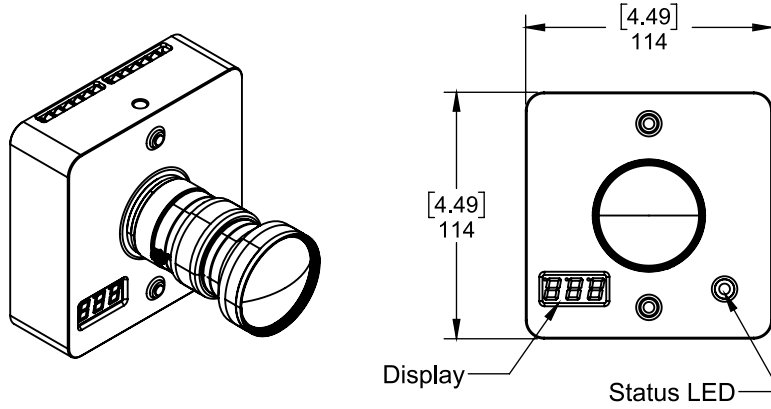
Slim^x 120

Technical Drawings



Slim^x 260

Technical Drawings



Lens Options					
Focal Length	Field of View	"OAL"		"OD"	
		mm	in	mm	in
8.9mm	74° x 74°	122.6	4.83	52	2.05
11.8mm	57° x 57°	123.4	4.86	52	2.05

All specifications are subject to change without notification.

© 2026 NaturalPoint Inc. dba OptiTrack. All rights reserved. NaturalPoint, OptiTrack, Motive, trademarked slogans and logos are the property of NaturalPoint. All other product names are trademarks or registered trademarks of their respective companies 02.26

OptiTrack