

Mini Duo 13

The Mini Duo 13 is a compact, lightweight tracking bar featuring two integrated cameras with 1.3-megapixel image sensors. Designed for seamless integration into OEM products, it enables precise inside-out tracking with minimal setup. Powered and connected via USB 2.0, the Mini Duo 13 delivers exceptional simplicity and performance in a 3.4 oz package — ideal for head-mounted and embedded applications.



Mini Duo 13

Specifications

Performance	
Maximum Frame Rate @ Full Resolution	120hz
Maximum Possible Frame Rate	120hz
Selectable Frame Rates	No
Latency (@ Max Frame Rate & Full Resolution)	8.3ms
3D Accuracy	+/- 1 mm
Marker Type	Active
Maximum Detection Distance	1.2 m (4 ft)
Sensor	
Resolution	1280px x 1024px
Pixel Count	1.3MP
Shutter Type	Global
Adjustable Exposure	Yes
Shutter Speed (default)	.25 ms
Shutter Speed (max)	8.3 ms
Shutter Speed (min)	0.01 ms
Physical Attributes	
Width	110mm (4.33in) Body 1397mm (55in) Cable
Height	24.3 mm (0.96 in)
Depth	39.6 mm (1.56 in)
Weight (Includes Lens)	0.087kg (0.19 lb)
Base Materials	Aluminum
Color	Black
Aim/Focus Assist Spotlights	No
Optical Attributes	
Lens FOV (H x V)	84° x 68°
Lens Focal Distance	3.5 mm
Aperature Size	f / 2.4
Lens Adjustable Focus	No
Lens Adjustable F-Stop	No
Filter Wavelength	800 nm Bandpass
Filter Switcher	No
Filter Switcher Wavelengths	N/A

Mini Duo 13

Specifications

Electrical Attributes	
Power Input	USB
IEEE Standard	USB 2.0
Power Draw (@PSE)	1.6 W
Connector	4-pin Molex
Cabling	4-pin Molex to USB-A

Data Architecture	
Communication	USB 2.0
Protocol	OptiTrack Proprietary
Camera Sync	Direct On-Board
Image Processing	Precision Mode
Grayscale Depth	8-bit

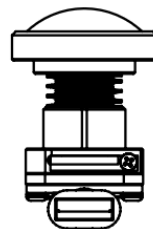
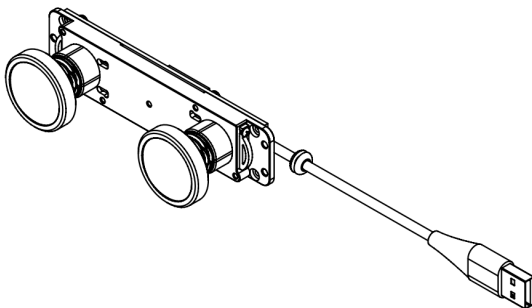
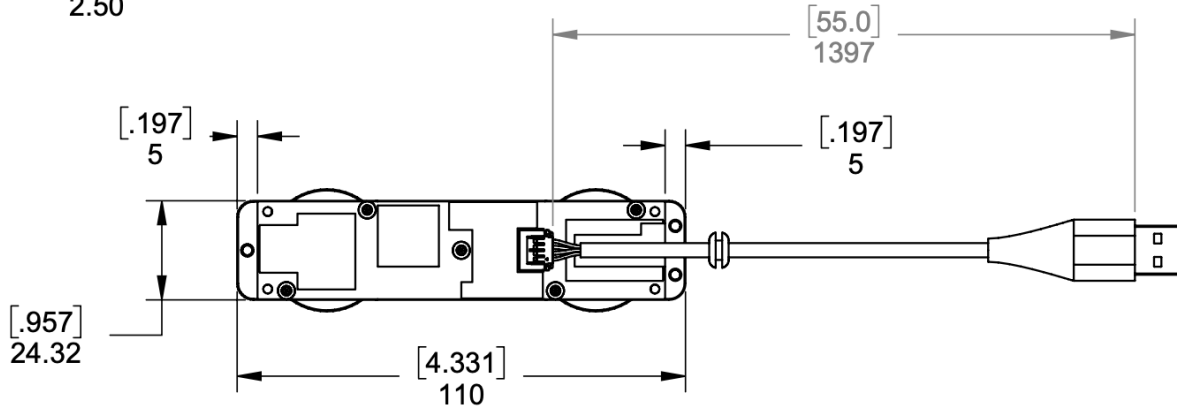
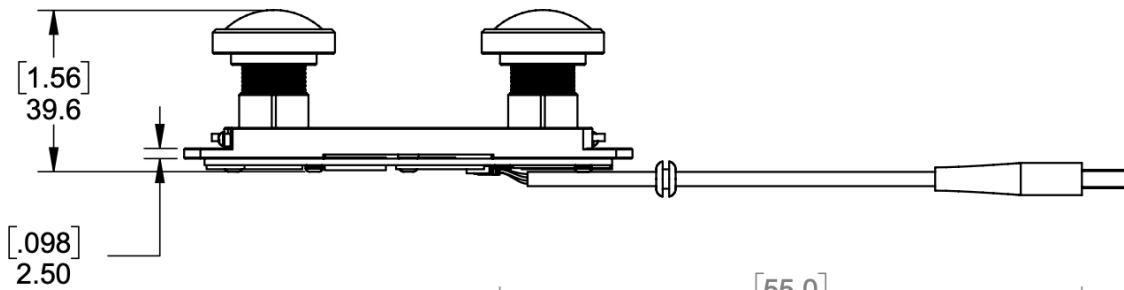
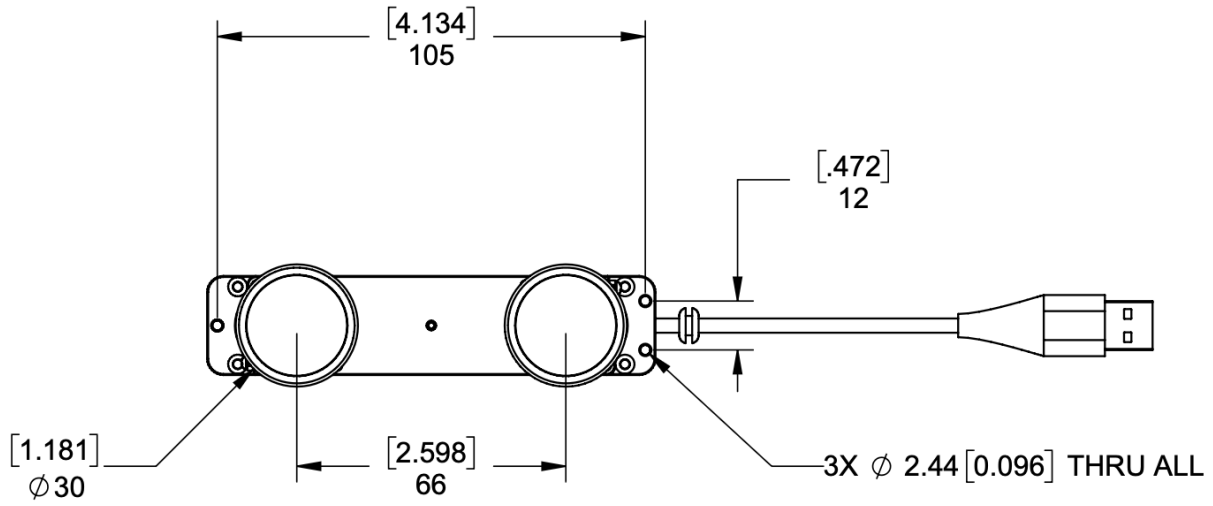
Status Indicators	
Numeric LED	No
Full-Color LED Health & Activity	No

Mounting	
Type & Quantity	0.096 in. Thru Hole (3X)
Precision Alignment	No

Environment	
IP Rating	IP00
Operational Temperature	5 - 40°C
Storage Temperature	-40 - 70°C
RoHS Compliant	Yes

Mini Duo 13

Technical Drawings



Mini Duo 13

Technical Drawings

