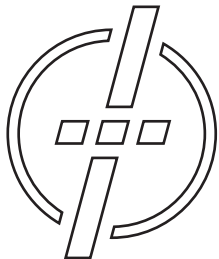


## \* Technical Notes

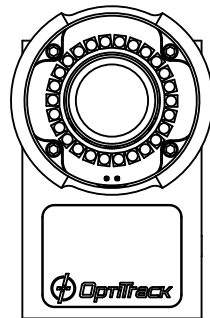
- Make sure all USB hubs used with the device are externally powered (plug into wall).
- For best performance, use the device with OptiTrack OptiHub.
- Windows 2000, XP, Vista and Windows 7 users must be logged in as an administrator to install the USB drivers. If you only have one user login on your computer, you probably have administrator privileges.



### Friendly Customer Service

If you have any difficulties after reviewing the documentation, visit our website or call 1.541.753.6645 between 9AM-5PM PT.

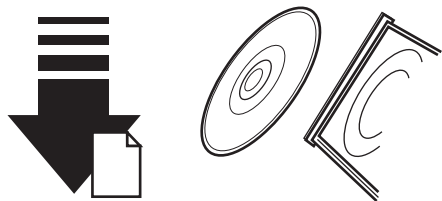
Visit [www.OptiTrack.com](http://www.OptiTrack.com) for the latest software support, sample code, and product news.



FLEX:VIDOR2

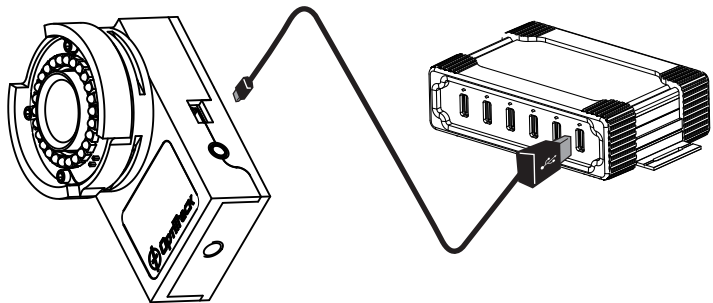
# 1. Install Software

Download the latest software installer from the website or use software CD if included. Run the installer and follow its prompts.



# 2. Plug In Hardware

Connect the FLEX:V100R2's cord to a USB port of an OptiHub or USB hub.



# \* Synchronizing Multiple Cameras

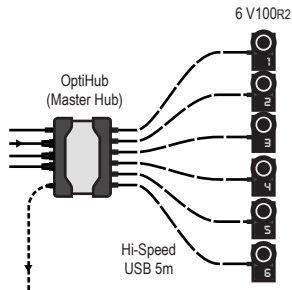
Multiple OptiTrack cameras may be synchronized for greater precision, via OptiSync or Wired Sync.

## OptiSync (sync over USB cable)

OptiSync requires FLEX:V100R2 cameras connected to OptiHubs.

See the hub setup schematics included with your OptiHub, or download the diagrams from the OptiHub product page at OptiTrack.com.

Initiate camera synchronization via software.



## RCA Wired Sync

Wired sync supports V100R2 and/or V100 cameras (mixed environment supported).

Plug in Camera Sync Splitter for each camera.

Connect master device's "out" connector to slave camera's "in" connector using Sync Cable (sold separately).

Initiate camera synchronization via software.

