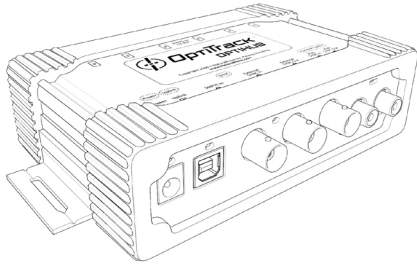




- OptiSync Mode. No RCA Sync Cables Required (Wired Sync is Optionally Available)
- All Optional Features Shown
 - External Sync IN/OUT
 - Active USB Extension
- OptiSync Not Valid with Mixed Camera or Hub Configurations. Wired Sync Only.
- Flex 13 cameras require an OptiHub v2 and may not be mixed with V100:R2 cameras in the same system.



Copyright © 2012 NaturalPoint Inc. Patents Pending.
www.optitrack.com

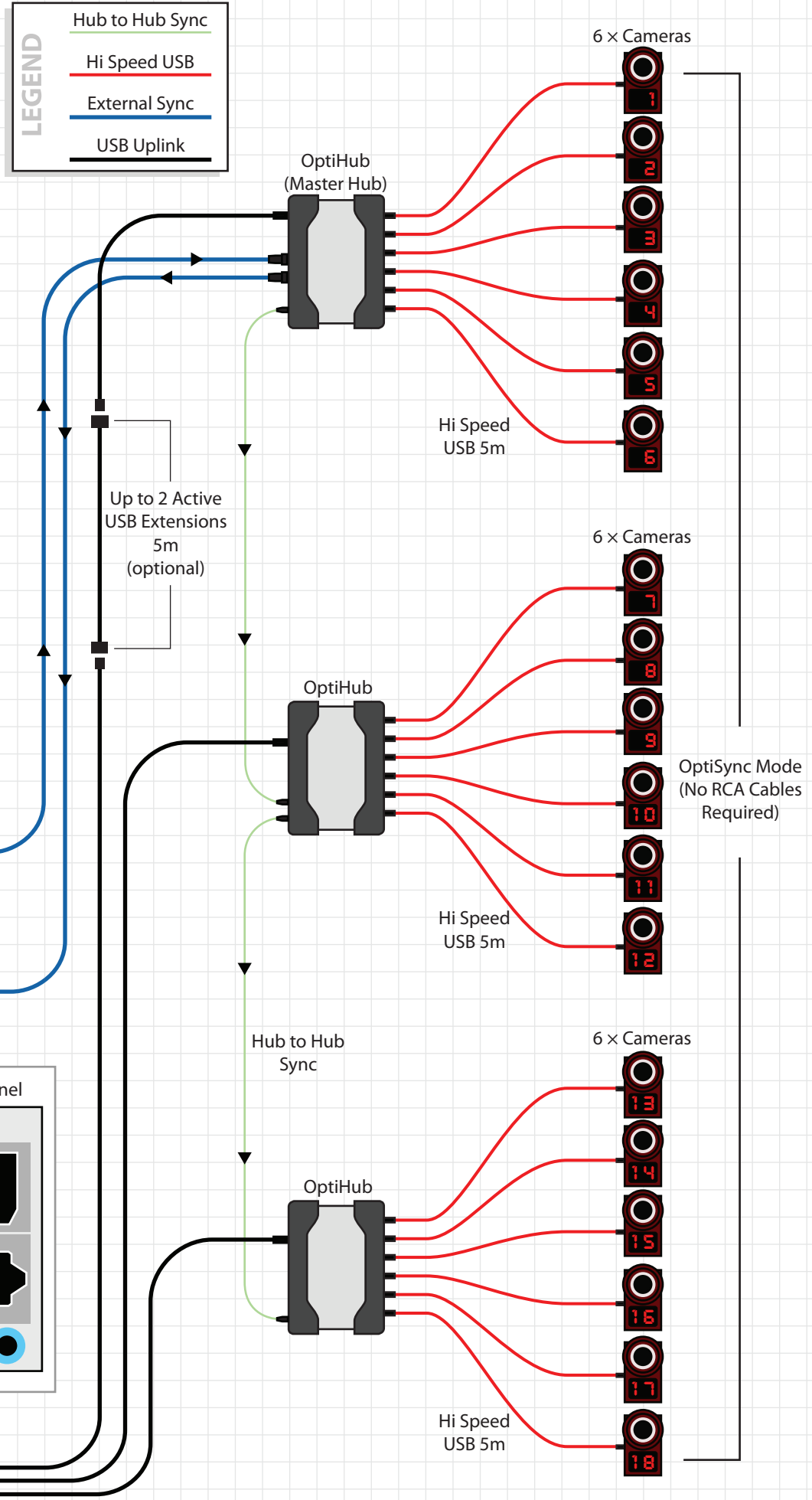
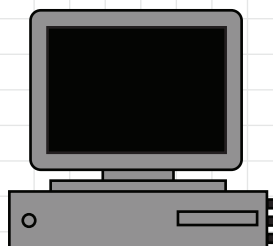
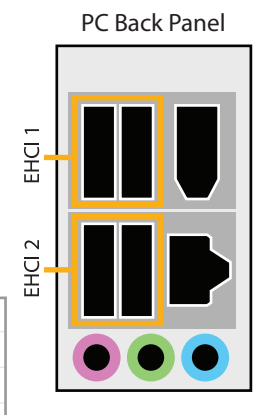
LEGEND

- Hub to Hub Sync
- Hi Speed USB
- External Sync
- USB Uplink

External Trigger (optional)

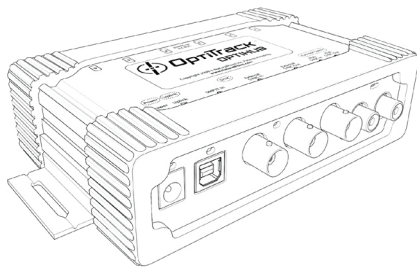
Acquisition System (optional)

***Note:** Hub USB Uplinks should be divided among both Enhanced Host Controller Interfaces (EHCI) in your PC. Its best to use the USB ports on the back of your system. There should be two separate groups of USB ports, which could identify each EHCI. Plug two hubs into one EHCI and one hub into the other. See diagram to the right.





- OptiSync Mode. No RCA Sync Cables Required (Wired Sync is Optionally Available)
- All Optional Features Shown
 - External Sync IN/OUT
 - Active USB Extension
- OptiSync Not Valid with Mixed Camera or Hub Configurations. Wired Sync Only.
- Flex 13 cameras require an OptiHub v2 and may not be mixed with V100:R2 cameras in the same system.



Copyright © 2012 NaturalPoint Inc. Patents Pending.
www.optitrack.com

LEGEND

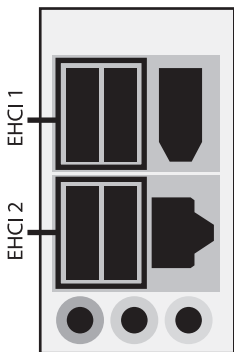
- Hub to Hub Sync
- Hi Speed USB
- External Sync
- USB Uplink

External Trigger (optional)

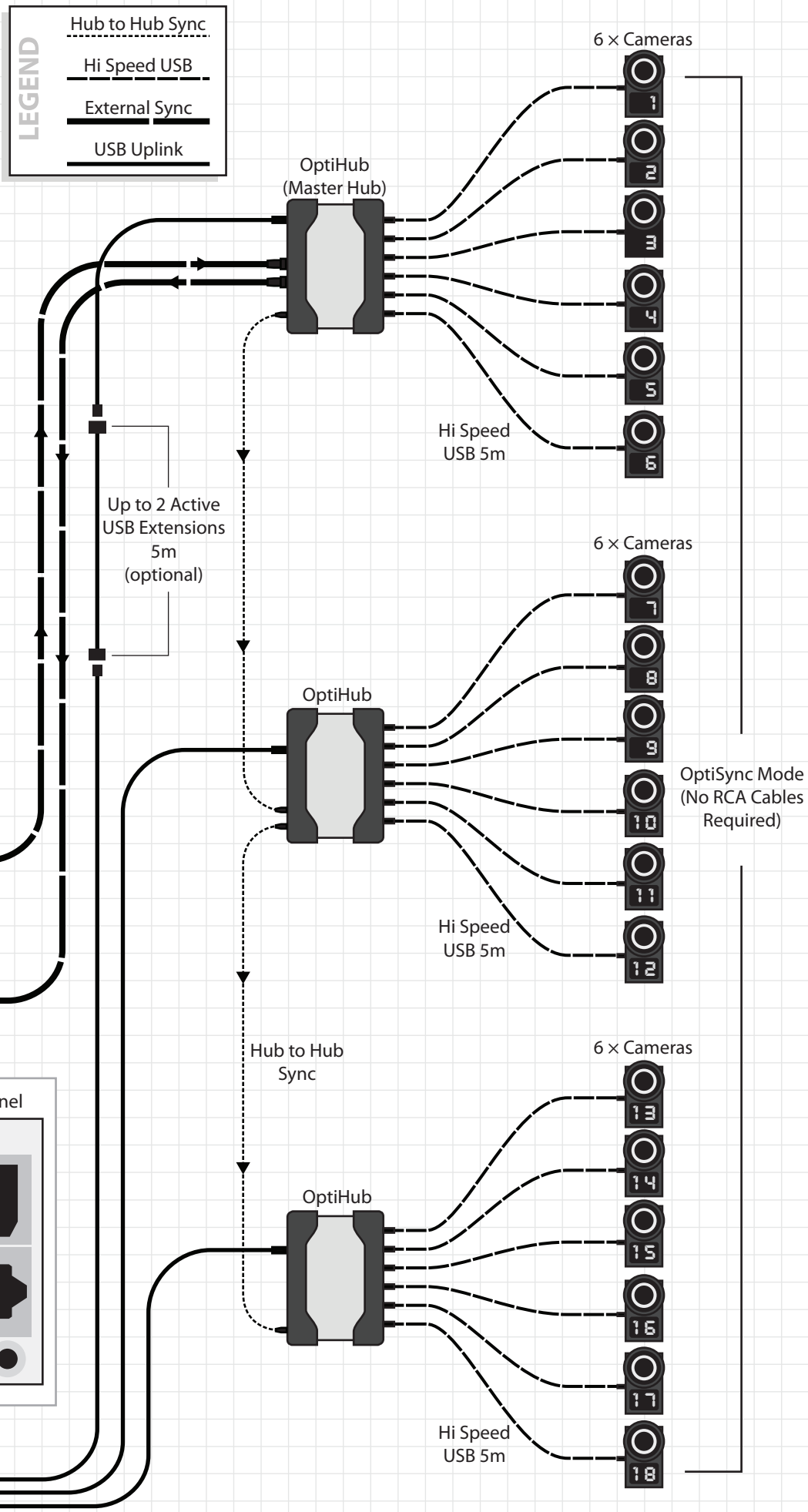
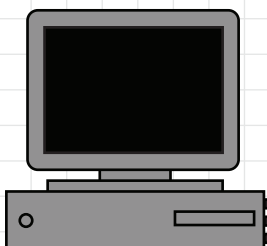
Acquisition System (optional)

*Note: Hub USB Uplinks should be divided among both Enhanced Host Controller Interfaces (EHCI) in your PC. Its best to use the USB ports on the back of your system. There should be two separate groups of USB ports, which could identify each EHCI. Plug two hubs into one EHCI and one hub into the other. See diagram to the right.

PC Back Panel

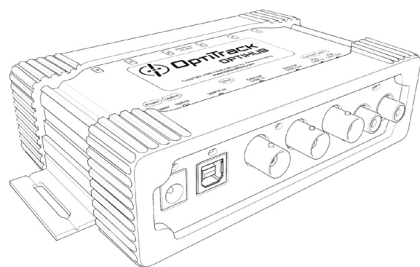


USB Uplink*





- RCA Wired Sync Mode
- All Optional Features Shown
 - External Sync IN/OUT
 - Active USB Extension
- OptiSync Not Valid with Mixed Camera Configuration. Wired Sync Only.



Copyright © 2012 NaturalPoint Inc. Patents Pending.
www.optitrack.com

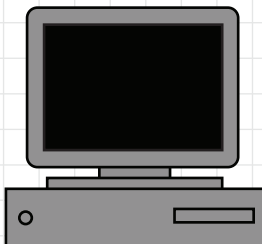
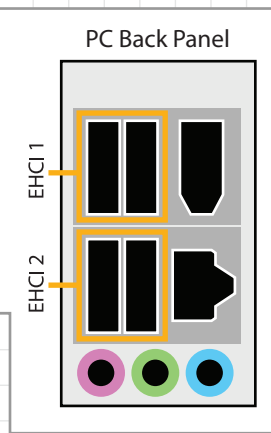
LEGEND

- RCA Sync Cable
- Hi Speed USB
- External Sync
- USB Uplink

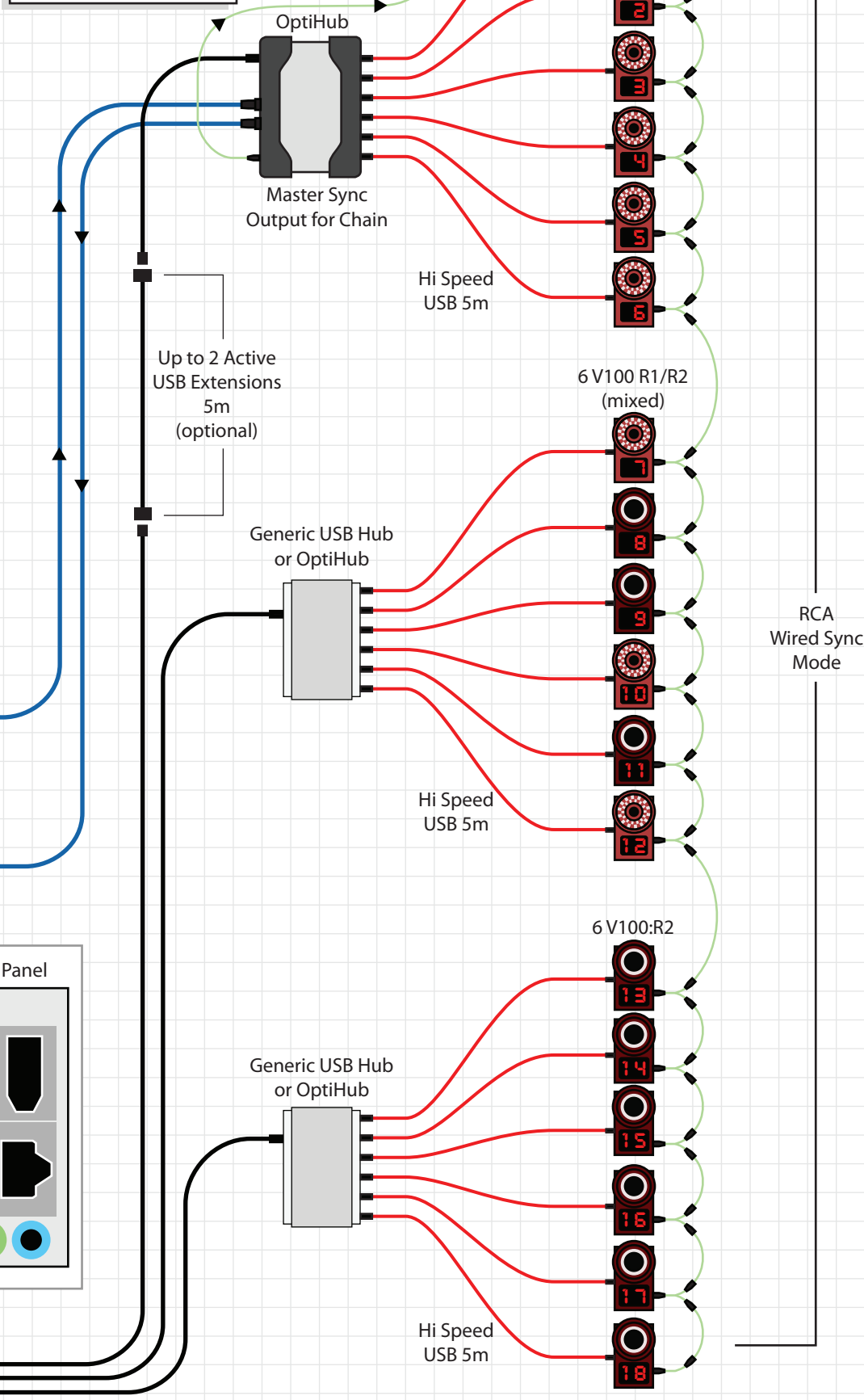
External Trigger (optional)

Acquisition System (optional)

***Note:** Hub USB Uplinks should be divided among both Enhanced Host Controller Interfaces (EHCI) in your PC. Its best to use the USB ports on the back of your system. There should be two separate groups of USB ports, which could identify each EHCI. Plug two hubs into one EHCI and one hub into the other. See diagram to the right.

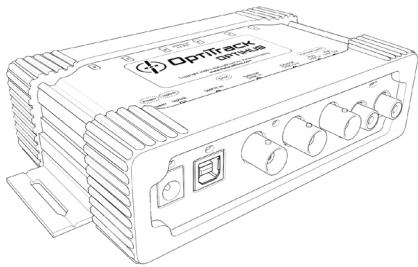


USB Uplink*





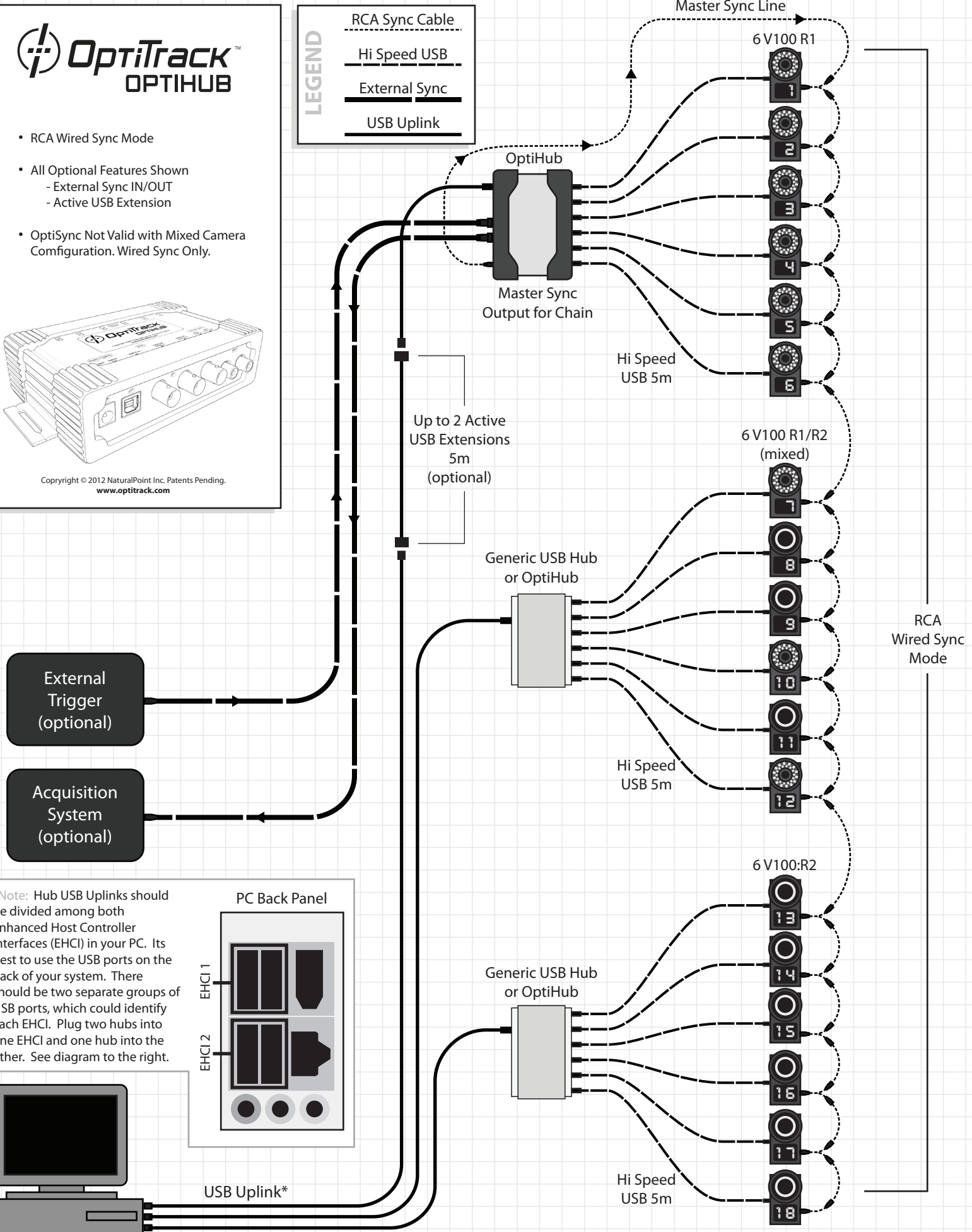
- RCA Wired Sync Mode
- All Optional Features Shown
 - External Sync IN/OUT
 - Active USB Extension
- OptiSync Not Valid with Mixed Camera Configuration. Wired Sync Only.



Copyright © 2012 NaturalPoint Inc. Patents Pending.
www.optitrack.com

LEGEND

- RCA Sync Cable
- Hi Speed USB
- External Sync
- USB Uplink



RCA
Wired Sync
Mode